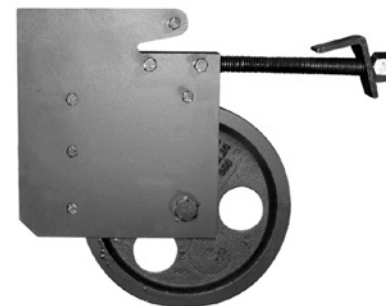


# Loft Blocks, Underhung - 19 Series

- Underhung style, supported by a single structural beam
- Nylon or ASTM Class 30 grey iron sheaves
- Sealed precision ball bearings (Single line, 8" (203 mm) nominal sheave only) or tapered roller bearings
- 10-gauge (3 mm) side plates
- 3/4" (19 mm) drawbolt and steel clip allow a 5" (127 mm) grip adjustment to accommodate a range of beam sizes
- A minimum of three spacers between the side plates; to prevent cables from escaping the sheave grooves
- Three-year warranty against defects in materials or workmanship is provided on all J.R. Clancy equipment, additional warranty information is available at [jrclancy.com](http://jrclancy.com)



Loft Block

## Order Information

Sheave Diameter	Lines	Bearings	Cast Iron Product Code	RWL	Weight	Nylon Product Code	RWL	Weight
<b>Cable Blocks (1/4" [6 mm] cable)</b>								
8-1/2" (216 mm)	1	17 mm BB	200-10819C25R	500 lb (227 kg)	14 lb (6.35 kg)	200-10819N25R	500 lb (227 kg)	9 lb (4 kg)
8-1/2" (216 mm)	2	17 mm BB	200-20819C25R	500 lb (227 kg)	14 lb (6.35 kg)	200-20819N25R	500 lb (227 kg)	10 lb (4.5 kg)
8-1/2" (216 mm)	1	17 mm TRB	200-10819C25RT	500 lb (227 kg)	14 lb (6.35 kg)	200-10819N25RT	500 lb (227 kg)	9 lb (4 kg)
8-1/2" (216 mm)	2	17 mm TRB	200-20819C25RT	500 lb (227 kg)	14 lb (6.35 kg)	200-20819N25RT	500 lb (227 kg)	10 lb (4.5 kg)
8-1/2" (216 mm)	4	1" TRB (25 mm)	200-40819C25R	1300 lb (590 kg)	34 lb (15.4 kg)	200-40819N25R	1300 lb (590 kg)	25 lb (11.3 kg)
8-1/2" (216 mm)	8	1" TRB (25 mm)	200-80819C25R	1300 lb (590 kg)	44 lb (20 kg)	200-80819N25R	1300 lb (590 kg)	28 lb (12.7 kg)
12*" (305 mm)	1	1" TRB (25 mm)	200-11219C25R	700 lb (317 kg)	47 lb (21.3 kg)	-	-	-
<b>Cable Blocks (3/16" [5 mm] cable)</b>								
8-1/2" (216 mm)	1	17 mm TRB	-	-	-	200-10819N19R	500 lb (227 kg)	9 lb (4 kg)
8-1/2" (216 mm)	1	17 mm TRB	-	-	-	200-10819N19RT	500 lb (227 kg)	9 lb (4 kg)
8-1/2" (216 mm)	8	1" TRB (25 mm)	-	-	-	200-80819N19R	1300 lb (590 kg)	28 lb (12.7 kg)
<b>Cable Blocks (3/4" [19 mm] cable)</b>								
8" (203 mm)	1	17 mm BB	200-10819C75R	500 lb (227 kg)	14 lb (6.35 kg)	200-10819N75R	700 lb (317 kg)	9 lb (4 kg)
8" (203 mm)	1	17 mm TRB	200-10819C75RT	500 lb (227 kg)	14 lb (6.35 kg)	200-10819N75RT	700 lb (317 kg)	9 lb (4 kg)

\*Available for 1/4" (6 mm) or 3/8" (10 mm) cable, specify.

19 Series blocks grip the bottom flanges of beams.

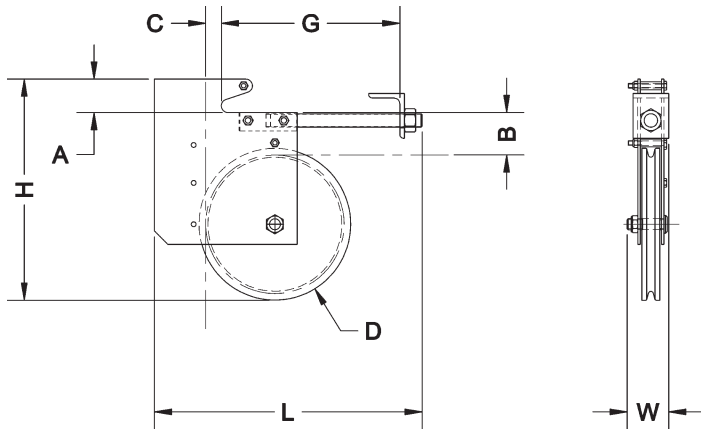
Blocks have a 3/8" (10 mm) throat with a grip range of 4" - 9" (102 - 229 mm).

Change the suffix from "R" to "U" for a 3/4" (19 mm) throat with a 4 1/8" - 10" (105 - 254 mm) grip range.

To add Idlers to 8" (203 mm) Underhung Blocks — Change last letter to "I3" or "I6" to indicate 3 or 6 idler grooves.

**RWL:** RWL is maximum load that can be applied to a block which is in "like new" condition and has been properly installed, maintained, and operated.

## Dimensions



Nominal Sheave Diameter	Throat Depth	Dim. L	Dim. H	Dim. W	Dim. A	Dim. B	Dim. C	Dim. D Sheave Diameter	Dim. G Grip Range
8" (203 mm)	3/8" (10 mm)	15" (381 mm)	12-1/4" (311 mm)	2-5/16" (59 mm)	1-3/4" (44 mm)	2-5/16" (59 mm)	2" (51 mm)	8-9/16" (217 mm)	4" - 9" (102 - 229 mm)
8" (203 mm)	3/4" (19 mm)	12-3/8" (314 mm)	12-3/8" (314 mm)	2-5/16" (59 mm)	1-7/8" (48 mm)	2-5/16" (59 mm)	1" (25 mm)	8-9/16" (217 mm)	4-1/8" - 10" (105 - 254 mm)
12" (305 mm)	3/8" (10 mm)	19" (483 mm)	17" (432 mm)	3-1/4" (83 mm)	1-3/4" (44 mm)	2-9/16" (65 mm)	5-7/16" (138 mm)	12" (305 mm)	4-1/2" - 10" (114 - 254 mm)
12" (305 mm)	3/8" (10 mm)	19" (483 mm)	17" (432 mm)	3-1/4" (83 mm)	1-7/8" (48 mm)	2-7/16" (62 mm)	4-3/8" (106 mm)	12" (305 mm)	5-1/2" - 11" (140 - 279 mm)

**Wenger**

**JRCLANCY**

**GEARBOSS**

© 2024 Wenger Corporation  
USA/2024-03

**Minnesota Location** Wenger Phone 800.4WENGER (493-6437) Wenger Worldwide +1.507.455.4100 | Parts & Service 800.887.7145 | wengercorp.com  
GearBoss Phone 800.493.6437 | gearboss.com  
555 Park Drive, PO Box 448 | Owatonna | MN 55060

**New York Location** J.R. Clancy Phone 800.836.1885 JR Clancy Worldwide +1.315.451.3440 | jrclancy.com | 7041 Interstate Island Road | Syracuse | NY 13209